

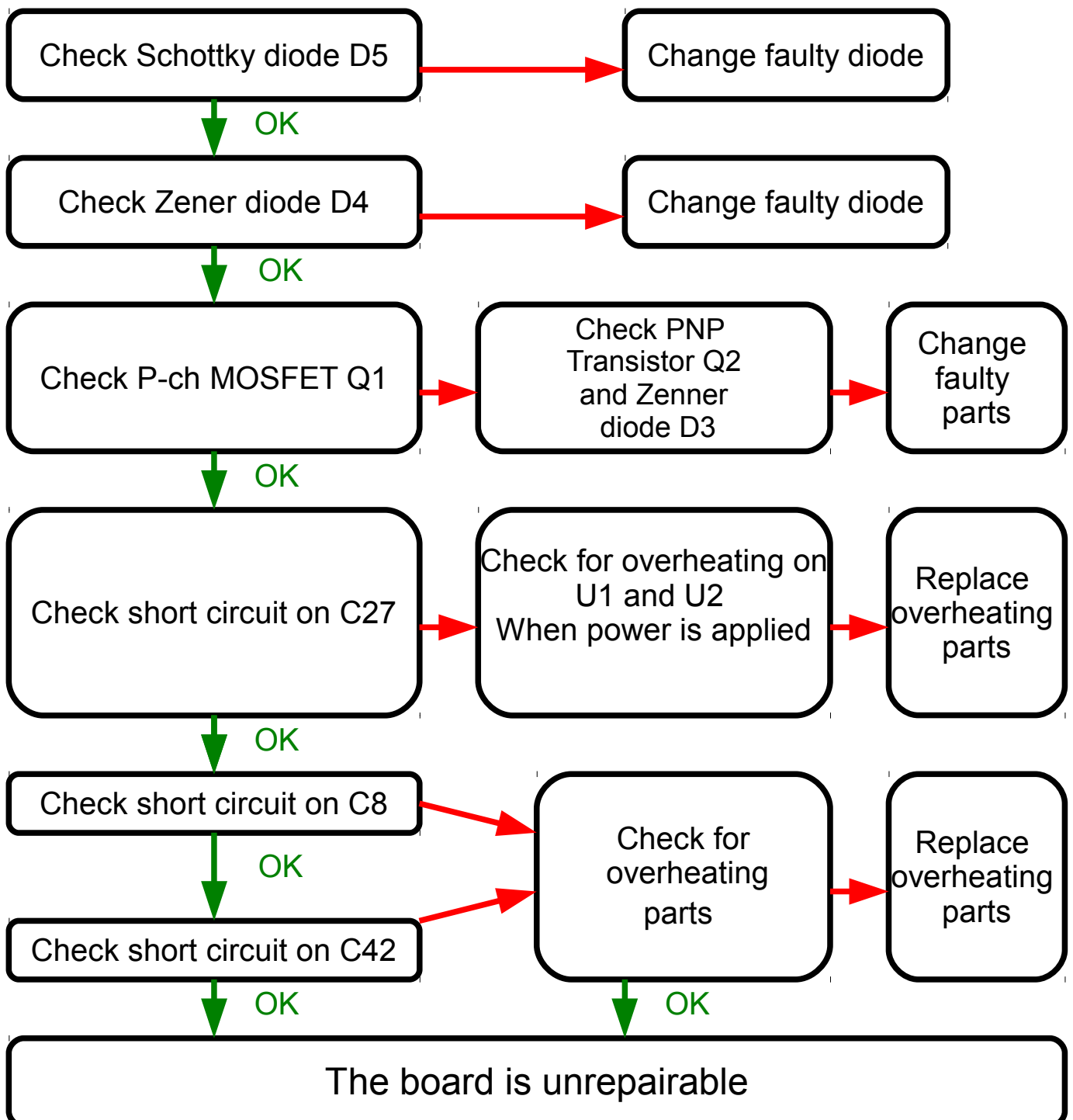
TroubleShooting for SXT lite5

These repair instructions are for NON WARRANTY repairs only!

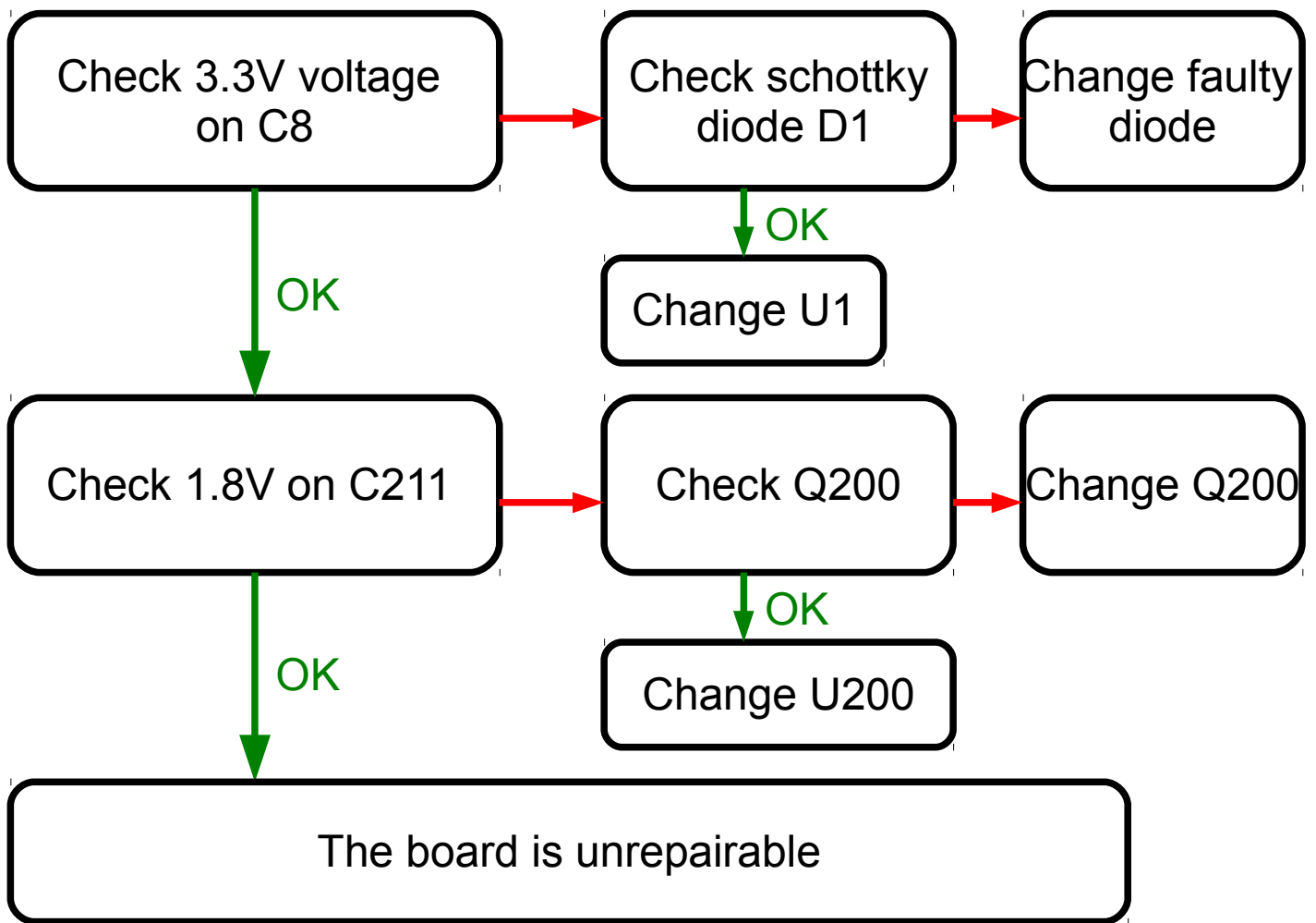
Try reinstalling routerOS and bios before this repair procedure.

Please make visual inspection for signs of corrosion or mechanical damages before starting.

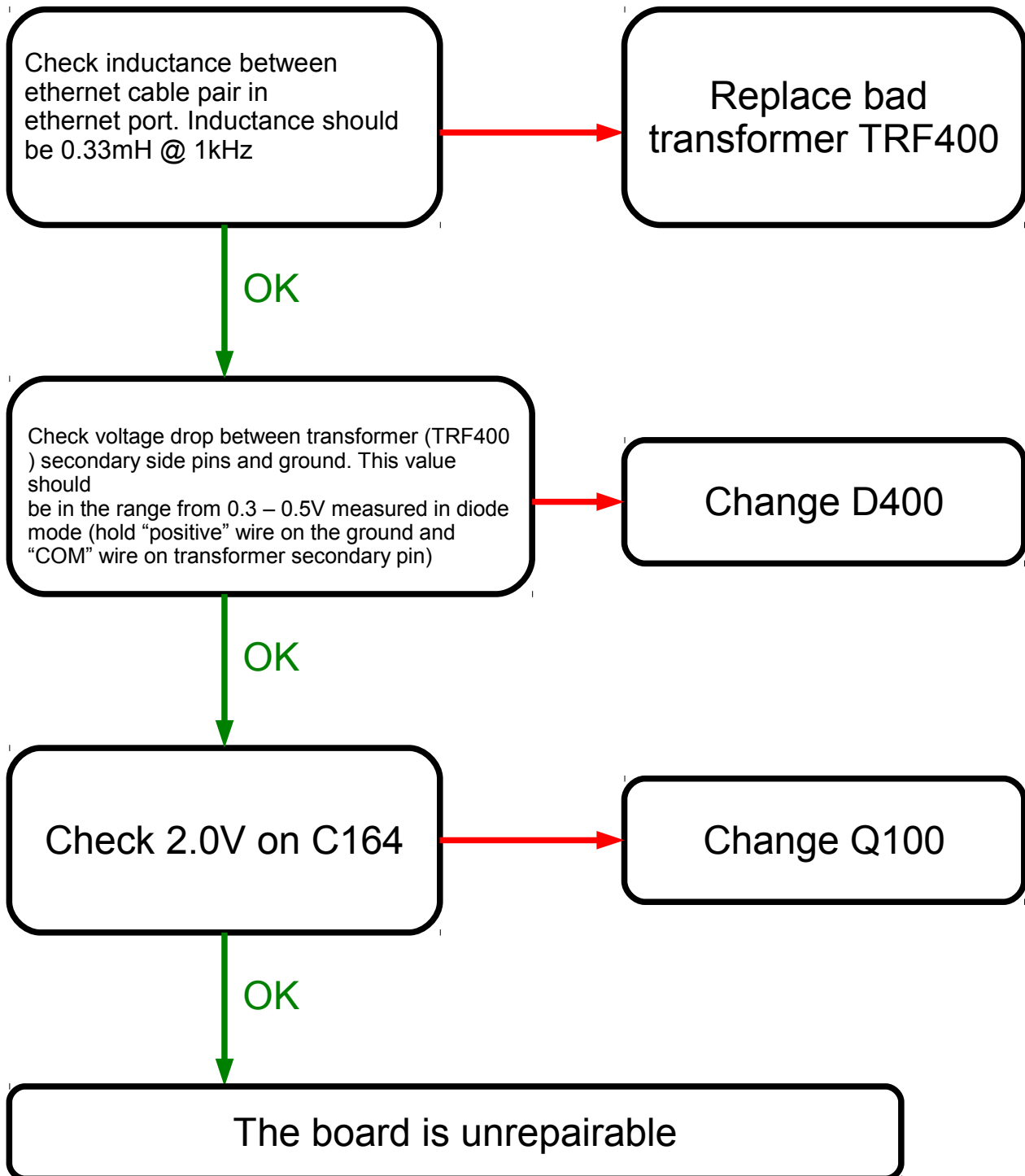
No power, geen LED isn`t lit



Input voltage on C27 appears, but board doesn't boot



Ethernet port does not work



Reference number	Part Number	Manufacturer	Description
D5	SS1060FL-T1-LF	Won-Top Electronics Co., Ltd.	Diode Schottky 60V 1A SOD123
D4	BZX84-B30,215	NXP Semiconductors	Diode Zener BZX84B 30V 2% 250mW SOT23
D3	BZX84C10/SOT23-GP	SINYORK CO., LTD.	Diode Zener BZX84C 10V 6% 410mW SOT23
D1	SS1060FL-T1-LF	Won-Top Electronics Co., Ltd.	Diode Schottky 60V 1A SOD123
D400	AOZ8808DI-05	Alpha & Omega	Diode Array TVS 4 channel low cap DFN-10
Q1	AP9576GM	Advanced Power Electronics Corp.	Transistor MOSFET P-Ch -60V -4A 90mOhm 2.5W SO-8
Q2	BC856B,215	NXP Semiconductors	Transistor PNP -65V -100mA 250mW Hfe=220-470 SOT-23 RoHS
Q200,Q100	KTA1663-Y-RTF/P	KEC Corporation, LTD	Transistor PNP -30V -1.5A 0.5W Hfe=100-320 SOT89 RoHS
U1,U2	LSP5502SAC	Lite-On Semiconductor corporation	DC-DC Step-down converter 4.5-30V input 2A output Sync SO8, RoHS
U200	NT5TU32M16 DG-AC	NANYA TECHNOLOGY CORPORATION	DDR2 SDRAM 512Mbit DDR2-800 32Mx16bit BGA-84 0+85C
TRF400	NS601680	Feei Cherng Enterprise CO., LTD.	10/100 Single Ethernet transformer SMD 16pin RoHS T&R

When you order components for repairing boards from our sales, please, write components reference number not a part number

